

Wheel-a-Weigh[®]

LAUNCHING WHEELS FOR BOATS

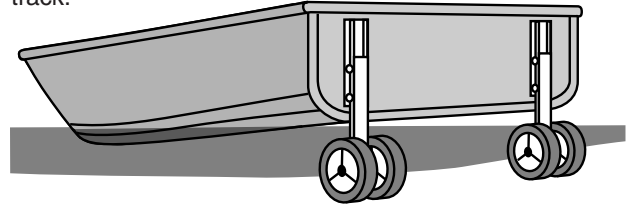
ASSEMBLY INSTRUCTIONS

This product is not to be used on boats over 250 lbs. (113 kg).

1. Position the tracks on the boat transom, well apart. Make certain they are clear of any obstruction. The tracks should be vertical and set equidistant from the top and bottom of the transom, usually about one inch (2.5 cm).
2. Mark the four mounting holes for each track, then drill through the transom with a 1/4" (6.4 mm) drill. For all metal transoms, it is recommended that wooden backup blocks be used. Your parts kit contains a quantity of plastic-wrapped sealing compound, which should be applied between the blocks and the transom at the bolt holes. Secure tracks to transom with bolts, washers and nuts provided (see drawing on back).
3. Take an axle with retaining ring attached. Insert it in the hub of one wheel, through the 1/2" (1.3 cm) hole in the aluminum strut, then through the second wheel. The longer ends of both wheels should face **IN**, toward the strut.
4. Place a retaining ring on the end of the axle. Place the small piece of white plastic tube on top of the ring and tap gently until the ring is not more than 1/8" (0.32 cm) from the hub. **Caution!** If you somehow drive the retaining ring too far onto the axle, the wheels may bind. Use care.
5. Slide struts into transom tracks and secure with lockpins. It is a good idea to secure the four lockpins to the boat with a short piece of line, since they have a strong tendency to fall overboard.

CARRYING THE BOAT

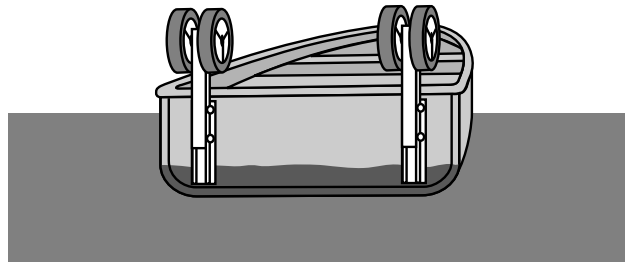
Place lockpins in the bottom two positions of the transom track:



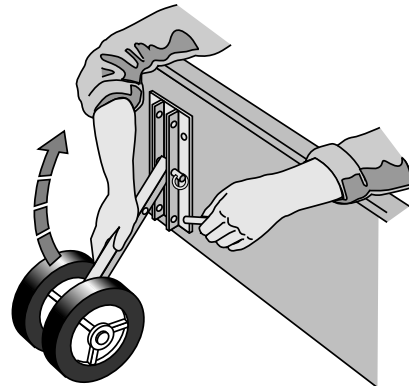
CAUTION: This product is not designed to be towed behind a vehicle. Damage may occur and will void the warranty.

STORING THE WHEELS

After launching, invert the struts and use the top two lockpin positions:



Note: You can leave the center lockpin in place and simply swing the strut up, repositioning only one lockpin:

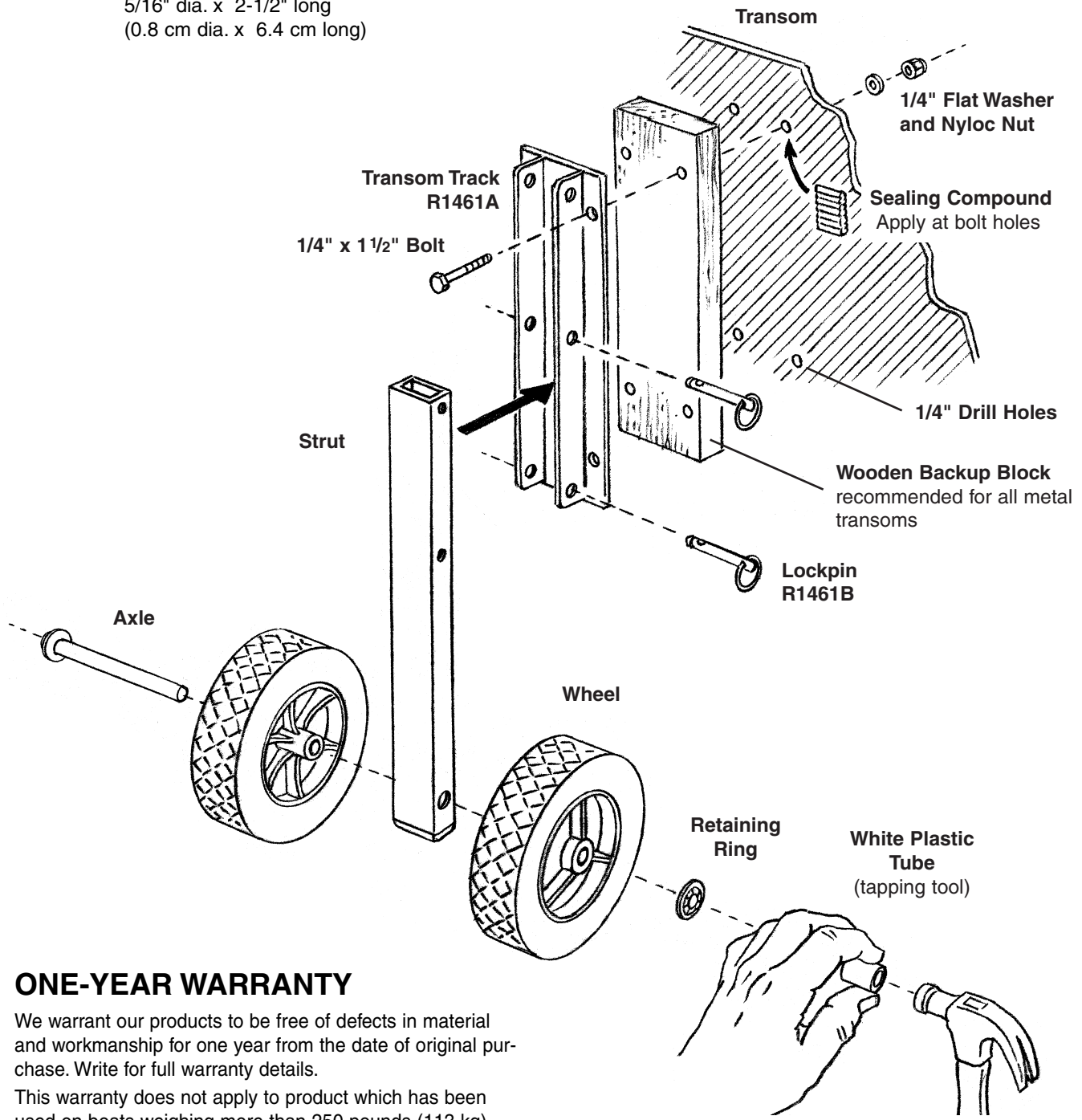


Removal of both lockpins releases the entire wheel assembly.

REPLACEMENT PARTS

Part No.	Description	Qty. Req'd
R1461A	Transom Tracks	2
R1461B	Lockpin, stainless steel, 5/16" dia. x 2-1/2" long (0.8 cm dia. x 6.4 cm long)	4

Wheel-a-Weigh® #1461 Launching Wheels for Boats



ONE-YEAR WARRANTY

We warrant our products to be free of defects in material and workmanship for one year from the date of original purchase. Write for full warranty details.

This warranty does not apply to product which has been used on boats weighing more than 250 pounds (113 kg).

Davis Instruments

3465 Diablo Avenue, Hayward, CA 94545, U.S.A.
Phone (510) 732-9229 • Fax (510) 732-9188
info@davisnet.com

For information about our other fine products,
visit www.davisnet.com